

# TC32

series



## Product Segments

### • Comfort Motion

The TC32 is TiMOTION's next-generation control box designed for power recliners and lift chairs. It supports up to 5 motors, including 4-motor synchronization, and features a built-in wireless module for compatibility with wireless hand controls.

It also supports flexible configurations for 1 to 2 wired hand controls and integrates with accessories such as charging ports, heating pads, and air massage systems.

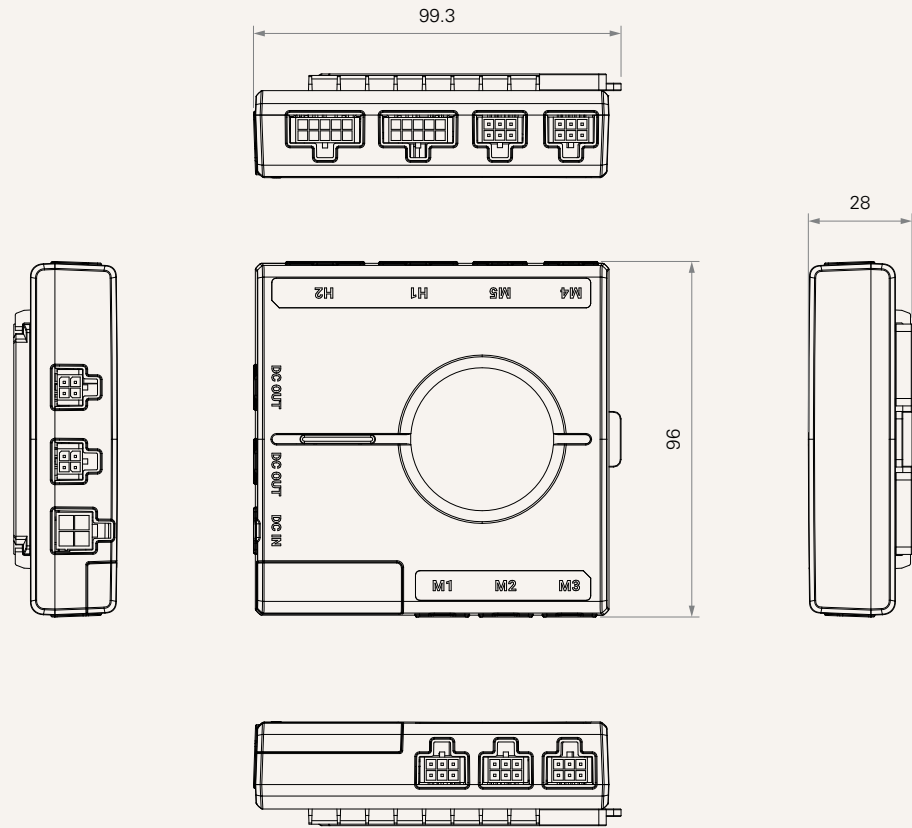
A key feature is its all-in-one pre-loaded software capability, allowing multiple software configurations to be embedded in a single programming process to support a wide range of motor functions.

#### General Features

Number of motors	1~5
Number of controls	1~2
Max. output	29V DC, 6A
Options	Built-in wireless module
Input voltage	29V DC
Operational temperature range	+5°C~+45°C
t-sense support	

**Drawing**

Standard Dimensions  
(mm)



---

**Input Voltage**            1 = 29VDC

---

**MCU**                        1 = With

---

**Number of Actuators**    5 = 5

---

**Handset Channel**        2 = 2

---

**Accessories Channel**    2 = 2

---

**Bluetooth Module**        0 = Without                    1 = 2.4G

---

**Seven Segment Display** 0 = Without                    1 = With

---

**Fixation**                    3 = On the plastic bracket

[See page 4](#)

---

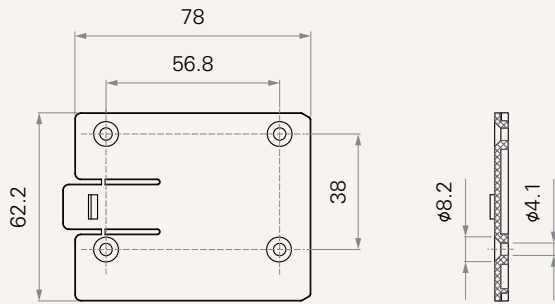
**Color**                      1 = Up cover semi-transparent Black; Bottom cover Black

---

**IP Rating**                 0 = Without

## Fixation

3 = By plastic mounting bracket (accessories: bracket \* 1 + fixing screws \* 4)



## Terms of Use

The user is responsible for determining the suitability of TiMOTION products for a specific application. TiMOTION products are subject to change without prior notice.