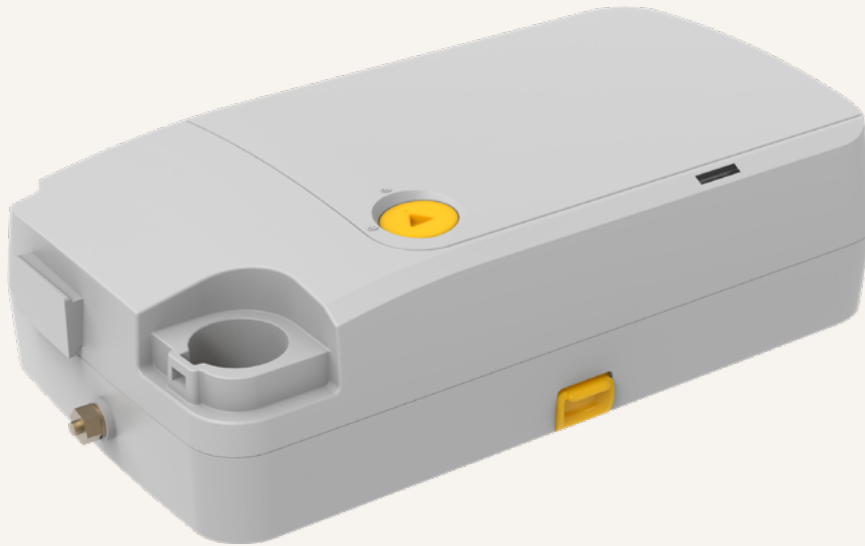


TC28

series



Product Segments

- **Care Motion**

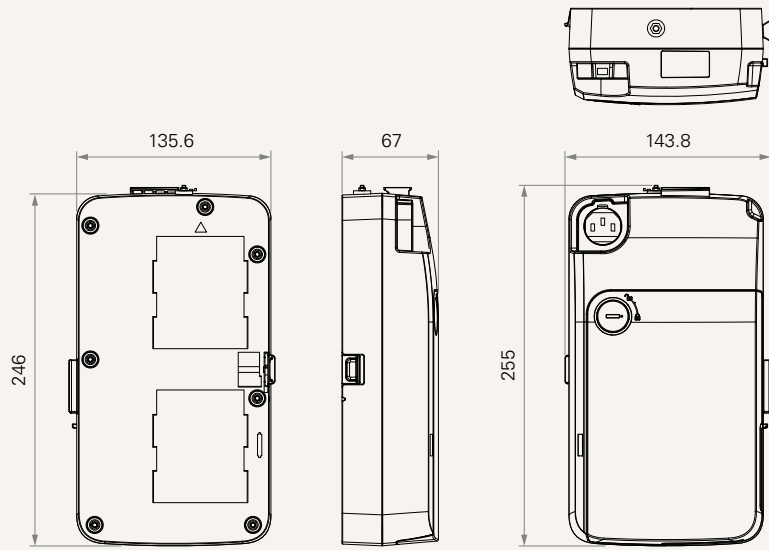
The TC28 is a new control box specifically designed for medical applications. An integrated 350W power supply provides industry leading performance and power, making it suitable for a wide array of healthcare applications. It supports up to 5 motors (4 motor synchronized movement), and 1 to 2 controllers such as hand pendants and foot switches. With an IP rating of up to IP66W, the TC28 is ideal for the most demanding of medical environments. The TC28's innovative modular design allows for effortless quick-mount installation. Additionally, the TC28 is compatible with the TBB10, featuring improved power saving functionality.

General Features

Number of motors	1~4
Number of controls	1~2
Max. output	16A, 350W
IP rating	IP66W
Back-up battery	TBB10 (Optional)
Options	Wireless support
Input voltage	100~240VAC
Built-in transformer type	SMPS
Plug support	EU, USA, AUS, UK, or JPN
Certificate	IEC60601-1, IEC60601-1-2
Color	Black or grey
Operational temperature range	+5°C~+45°C
Modular design (with TBB10) for easy, quick-mount, installation	
Power saving (with TBB10)	

Drawing

Standard Dimensions
(mm)



Input Voltage	4 = 100~240VAC		
Transformer	R = SPM-150M; maximum output current 16A. With Harmonic solution See page 4 S = SPM-120-C; With Harmonic solution		
MCU	1 = Full Bridge for 4 Motor		
Wireless Function	0 = Without	1 = 2.4G RF	2 = 2.4G BT
Number of Actuators	1 = 1	2 = 2	3 = 3 4 = 4
Number of Controls	1 = 1	2 = 2	
Channel for TBB	0 = Without	1 = With	
Buzzer	0 = Without	1 = With	
Grounding	3 = On AC cable		
AC Plug	1 = EU 2 = US	3 = AU 4 = UK	5 = JP
AC Plug Angle	1 = 90°	2 = 180°	
AC Outlet Connector Type	1 = 90°	2 = 180°	
AC Cable Length (mm)	0 = Without	3 = Straight, 2000	4 = Straight, 4000
Cord Buckle	0 = Without		
Color	2 = Pantone 428C		
Fixation	1 = On the bed frame		
Cover Lock	1 = “—” type		
IP Rating	1 = IP54	2 = IP66	3 = IP66W

Transformer

CODE	Transformer Type	External TP	Output power	Working current	Maximum current
R	SPM- 150M	N/A	350W	12A	16A, 350W
S	SPM-120-C	N/A	200W	8A	9A, 200W

Terms of Use

The user is responsible for determining the suitability of TiMOTION products for a specific application. TiMOTION products are subject to change without prior notice.