

TC16P

series



Product Segments

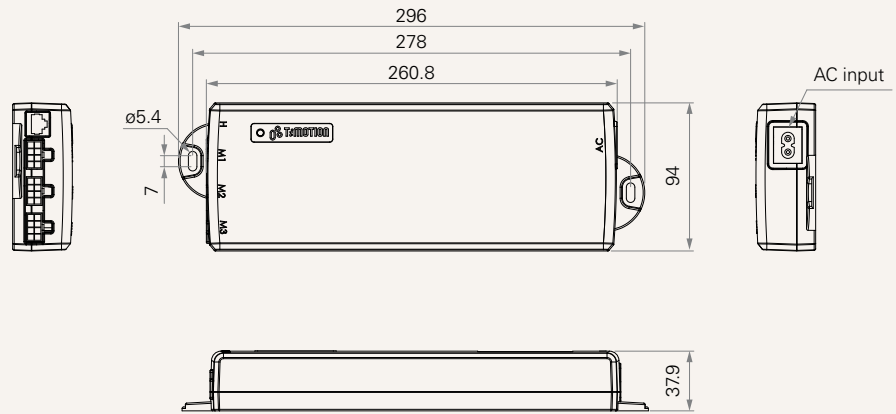
- **Comfort Motion**
- **Ergo Motion**

General Features

Number of motors	3
Max. output	32V DC, 12A
Options	Supports t-touch / Bluetooth built-in and charging accessory
Built-in transformer type	SMPS
Plug support	EU, USA, AUS, UK, or JPN
Certificate	UL508
Color	Black
Operational temperature range	+5°C~+45°C
0.1 or 0.5W standby power consumption	
Compact design for height adjustable desks	

Drawing

Standard Dimensions
(mm)



TC16P

Version: 20251002-G

Transformer	K = SPM-120QC (32V / 10A max., 0.1W standby, 100-240V) S = SPM-120Q (32V / 10A max., 0.5W standby, 100-240V)	W = SPM-400H (32V / 12A max., 0.1W standby, 195-264V) Y = SPM-400L (32V / 12A max., 0.1W standby, 100-132V)	
Plug	1 = EU 2 = US, SPT-2	3 = AU 4 = UK	5 = JP
Color	1 = Black		
Cable Length (mm)	1 = Straight, 1500	2 = Straight, 2000	4 = Straight, 3000
Control Board	2 = With MCU 3 = With MCU, Bluetooth enabled	4 = With MCU, with t-touch 5 = With MCU, Bluetooth enabled, with t-touch	

Terms of Use

The user is responsible for determining the suitability of TiMOTION products for a specific application. TiMOTION products are subject to change without prior notice.