

# TC15F

series



## Product Segments

- **Ergo Motion**

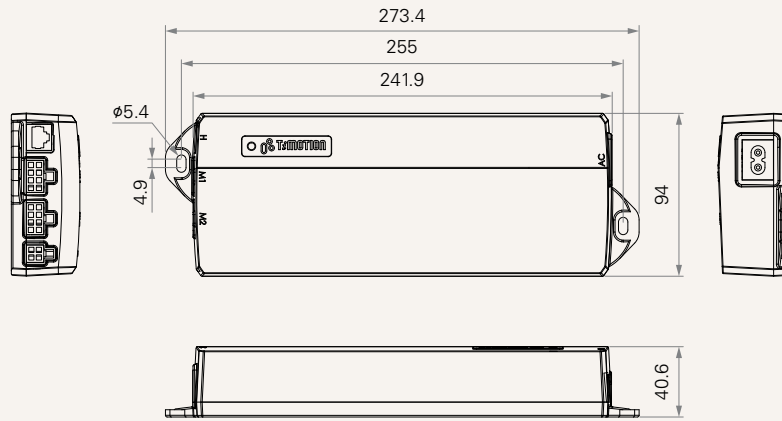
The TC15F control box is specifically designed for a variety of ergonomic height-adjustable applications. Incorporating solid-state circuitry, the TC15F provides seamless and quiet operation, eliminating any relay clicks. Experience instantaneous button responses, delivering an exceptional user experience with smooth, uninterrupted, movements. Elevate your workspace with the TC15F for enhanced operational precision and unparalleled ergonomic performance.

### General Features

Number of motors	1~2
Number of controls	1
Max. output	32V DC, 12A
Back-up battery	External battery
Options	Supports built-in t-touch / Bluetooth and external battery
Input Voltage	100~240V AC (SMPS)
Built-in transformer type	SMPS
Plug support	EU, US, AU, UK, or JP
Color	Black
Operational temperature range	+5°C~+45°C
0.1W standby power consumption	
Compact design for height adjustable desks	

**Drawing**

Standard Dimensions  
(mm)



<b>Transformer</b>	8 = SPM-73Q (32V/2.5A, 0.5W standby power, quick start, 100-240V)	S = SPM-120Q (32V/4.0A, 0.5W standby power, quick start, 100-240V)	
	L = SPM-73QC (32V/2.5A, 0.1W standby power, quick start, 100-240V)	W = SPM-400H (12A, 0.1W stand by, 195-264V)	
	K = SPM-120QC (32V/4.0A + 5V/100mA, 0.1W standby power, quick start, 100-240V)	Y = SPM-400L (12A, 0.1W stand by, 100-132V)	
<b>Plug</b>	1 = EU	3 = AU	5 = JP
	2 = US, SPT-2	4 = UK	
<b>Fixiation Type</b>	1 = Standard screw fixiation	2 = Quick Release	
<b>Cable Length (mm)</b>	1 = Straight, 1500	2 = Straight, 2000	3 = Straight, 4000
<b>Control Board</b>	2 = With MCU		
<b>Bluetooth Built-In</b>	0 = Without	1 = With	
<b>t-touch Built-In</b>	0 = Without	1 = With	
<b>TBB Port</b>	0 = Without	1 = With	

### Terms of Use

The user is responsible for determining the suitability of TiMOTION products for a specific application. TiMOTION products are subject to change without prior notice.