

TC15S

series



Product Segments

• Ergo Motion

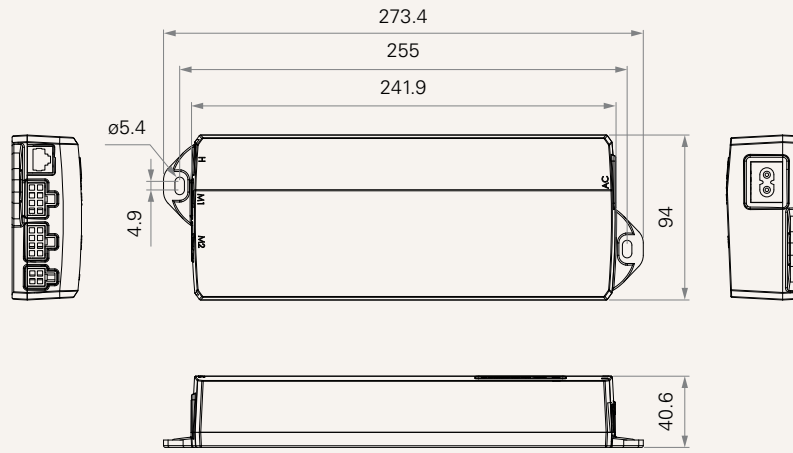
TC15S is new generation control box for height adjustable desk application. TC15S has 2.5A SMPS that can incorporate voltage input from 100V~240V. It has options of built-in t-touch and Bluetooth, and supports 5V/2.1A charging current for wireless charger & TFA series. TC15S can satisfy all functions needed to power a height adjustable desk.

General Features

Number of motors	2
Max. output	32V DC, 8A
Options	Support t-touch / Bluetooth built-in and charging accessory
Built-in transformer type	SMPS
Plug support	EU, USA, AUS, UK, or JPN
Color	Black
Operational temperature range	+5°C~+45°C
0.1W standby power consumption	
Compact design for height adjustable desks	
Compatible with wireless / USB charger	

Drawing

Standard Dimensions
(mm)



Transformer	8 = SPM-73Q (32V/2.5A, 0.5W standby power, quick start, 100-240V) L = SPM-73QC (32V/2.5A, 0.1W standby power, quick start, 100-240V) K = SPM-120QC (32V/4.0A + 5V/100mA, 0.1W standby power, quick start, 100-240V) S = SPM-120Q (32V/4.0A, 0.5W standby power, quick start, 100-240V) H = SPM-350L (10A, 0.1WStand by, 100-132V) J = SPM-350H (10A, 0.1WStand by, 195-264V) U = SPM-58E (29V/2.0A, 100-240V)		
Plug	1 = EU 2 = US, SPT-2	3 = AU 4 = UK	5 = JP
Fixiation Type	1 = Black	2 = Black, Quick Release	
Cable Length (mm)	1 = Straight, 1500	2 = Straight, 2000	3 = Straight, 4000
Control Board	2 = With MCU 3 = With MCU, Bluetooth enabled	4 = With MCU, with t-touch 5 = With MCU, Bluetooth enabled, with t-touch	
TBB Port	1 = Without	2 = With	

Terms of Use

The user is responsible for determining the suitability of TiMOTION products for a specific application. TiMOTION products are subject to change without prior notice.