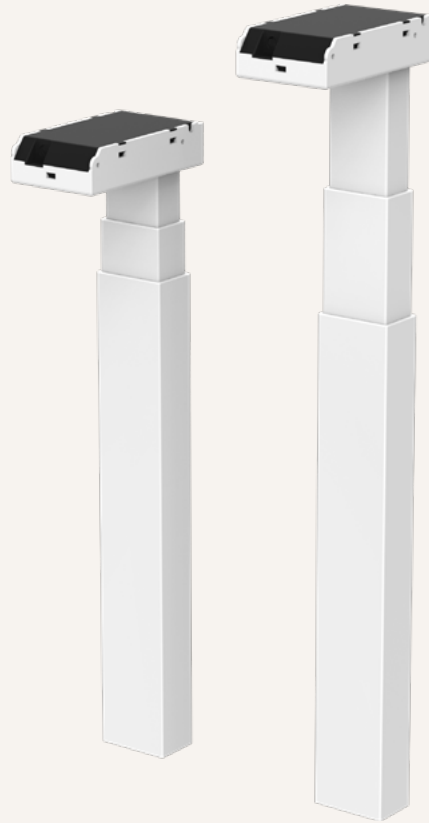


TFL33S

series



Product Segments

- **Ergo Motion**

Introducing TiMOTION's TFL33S, a high-speed lifting column solution designed for diverse ergonomic height-adjustable applications. Experience swift and seamless position adjustments with unparalleled efficiency. Elevate your workspace with a distinctive and effortless user experience.

Combine multiple TFL33S lifting columns with the TC control box series to create tailored solutions that precisely match specific project requirements. Providing synchronized movement that is swift, seamless, and quiet, the TFL33S delivers a superior lifting experience.

Note

1 FastRise high-speed column for quick height adjustment

2 A three-stage telescopic structure and rectangular profile

Features

- Load and speed per column¹²

Code	Load (N)	Self Locking Force (N)	Current (A) with 29V DC		Speed (mm/s) with 29V DC	
	Push		No Load	With Load	No Load	With Load
F	600	600	5.0	9.0	110.0	81.0

- Retracted length 590 / 560(M) / 520(S)mm
- Stroke 650/ 660(M/S)mm
- Outer profile 83*53mm rectangular
- Stages 3-stage
- Output signals Hall sensors
- Voltage 24V DC
- Color³
 - RAL9005
 - RAL9006
 - RAL9016
 - RAL9022
- Product weight 7.4kg / column

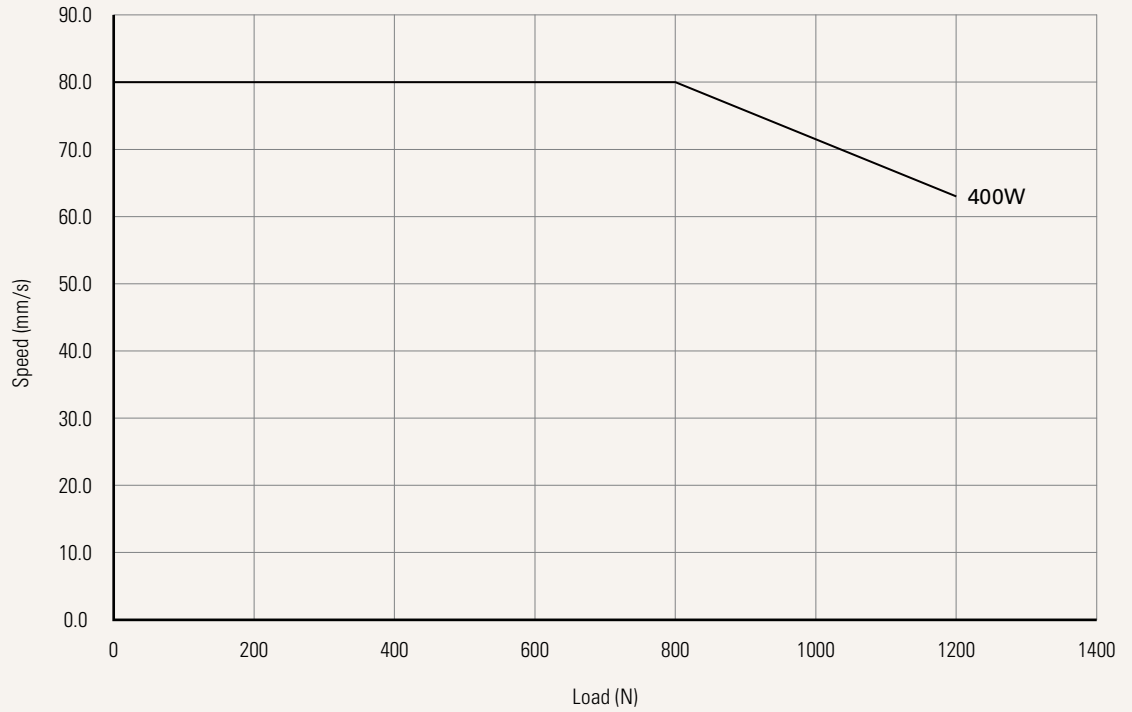
Note

- ¹ The self locking force, current, and speed performance are tested with TiMOTION control boxes.
- ² The parameters are based on average test values; final specifications are subject to the approval drawings.
- ³ For more color options, please consult your sales representative.

Performance Data with Control Box

The following is the performance data of two columns driven by an Ergo Motion control box TC15F. The load is evenly distributed on the work surface.⁴

- TFL33S, two columns driven by TC15F



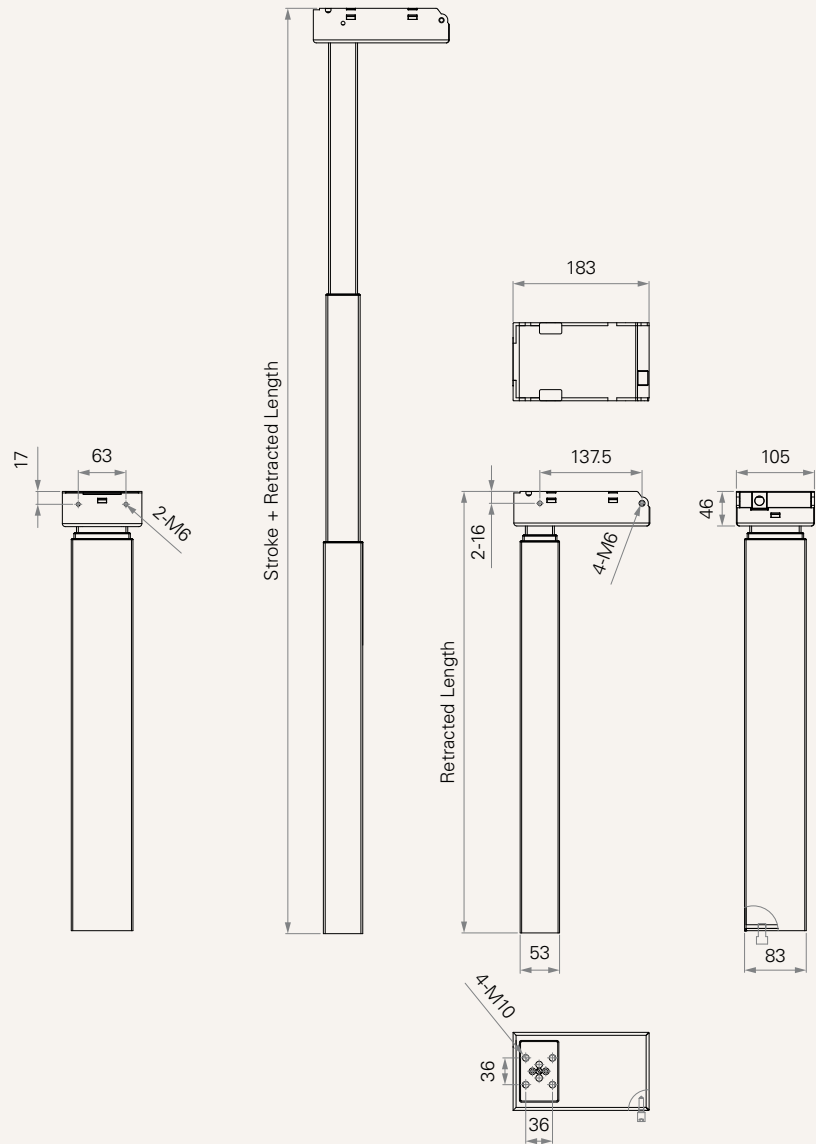
TC15F Spec	Load (N)	Constant Speed (mm/s) with TC15S
400W	1200	80

Note

⁴ The corresponding control box software is required.

Drawing

Standard Dimensions
(mm)



Stroke & Retracted Length

Options	Stroke (mm)	Retracted Length (mm)
Standard	650	590
M	660	560
S	660	520

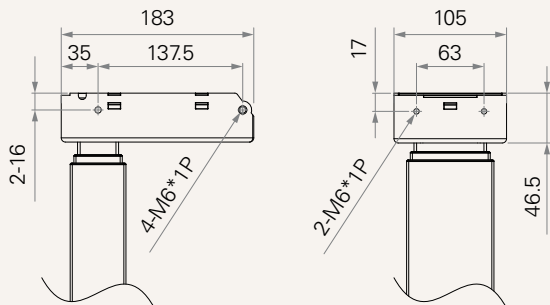
Appearance of Motor House	C = TiMOTION standard			
Voltage	2 = 24V DC			
Load and Speed	See page 2			
Stroke & Retracted Length (mm)	See page 4			
Color	1 = Black, RAL 9005	2 = White, RAL 9016	3 = Grey, RAL 9006	4 = Special grey, RAL 9022
Wiper Color	1 = Black	2 = White	3 = Grey	4 = Matte black
Bracket	0 = Without			
Bottom Plate Type	1 = M10, 36*36, TiMOTION standard		2 = M6, 36*36, TiMOTION standard	
	See page 6			
Bottom Plate Height	1 = Standard		2 = Extended outer tube for shoe	
Output Signals	2 = Hall sensor * 2		5 = Pressure sensor + Hall sensor*2	
Connector	1 = DIN 6P, 90° plug E = Molex 8P, 180° plug, standard		F = Molex 8P, 90°plug, without anti-clip, for TC22/TC23	
Cable Length (mm)	1 = Straight, 500	3 = Straight, 1000	4 = Straight, 1500	

Note

¹ The TL is designed especially for push applications, not suitable for pull applications.

Appearance of Motor House

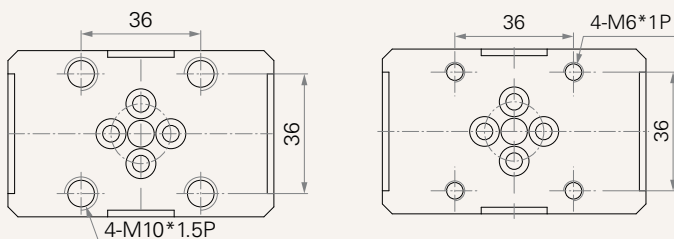
C = TiMOTION standard



Bottom Plate Type (mm)

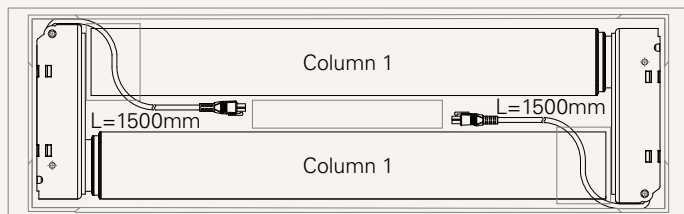
1 = M10, 36*36, TiMOTION standard

2 = M6, 36*36, TiMOTION standard



Package

Package of one TL part number

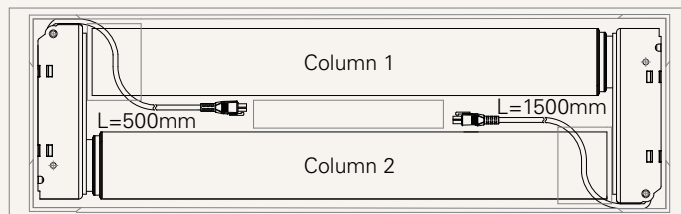


Column: 2pcs TL/box (Same PN& cable length)

Electronic control system: Without

Weight with package: 16KG

Package of two TL part numbers in pairs

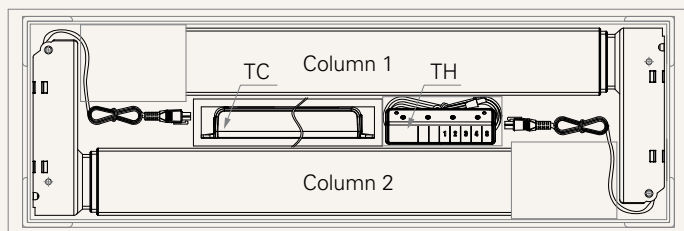


Column: 2pcs TL/box (Different PN, cable length, for pair use)

Electronic control system: Without

Weight with package: 16KG

Package of MP part number set-TL in pairs + electronic control system



Column: 2pcs TL/box (Different PN, cable length, for pair use)

Electronic control system: TC + TH

Weight with package: 17KG

Terms of Use

The user is responsible for determining the suitability of TiMOTION products for a specific application. TiMOTION products are subject to change without prior notice.