

TH21

series



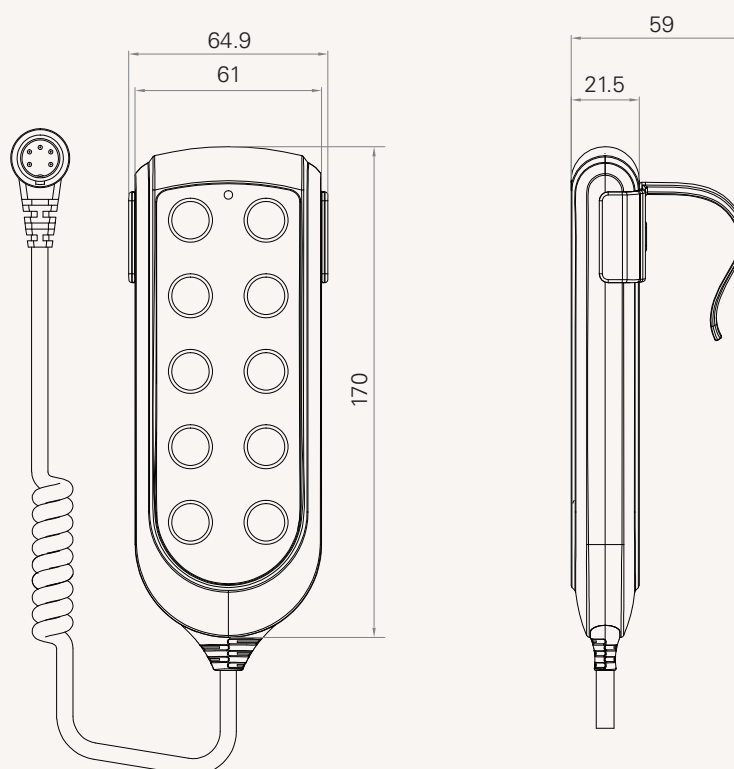
Product Segments

- **Care Motion**

Connected actuators	1~3
Maximum available buttons	10
Color	black or grey
IP rating	up to IP66

Drawing

Standard Dimension
(mm)



Cable Length (mm)

CODE	A	B	C
1	1000	300	200
2	1200	300	300
3	1400	300	400
4	2400	0	0
5	0	600	0
6	1000	200	200

Terms of Use

The user is responsible for determining the suitability of TiMOTION products for a specific application.

Due to continuous development in order to improve our products, TiMOTION products are subject to frequent modifications and changes without prior notice.

TiMOTION reserves the right to discontinue the sale of any products displayed on its website or listed in its catalogue or other written materials drawn up by TiMOTION.

TH21 Ordering Key

TH21

Version: 20150204-F

	Number of Actuators	1 = 1	2 = 2	3 = 3
	Plug	2 = DIN 5pin, 180°, for TDC 4 = Short DIN 5pin, 180°, for TDC		6 = DIN 8pin, 180°, for extension cable A = Customized
	Color	1 = Black		2 = Grey (Pantone 428C)
	IP Rating	1 = Without	2 = IP54	3 = IP66
	Hook Type	0 = Without		1 = Standard
	Key Definition	01~45 = See appendix* Note : please contact TiMOTION before making an order		AA = Customized
				
	Cable Length	1~6 = See appendix		