

TH12

series



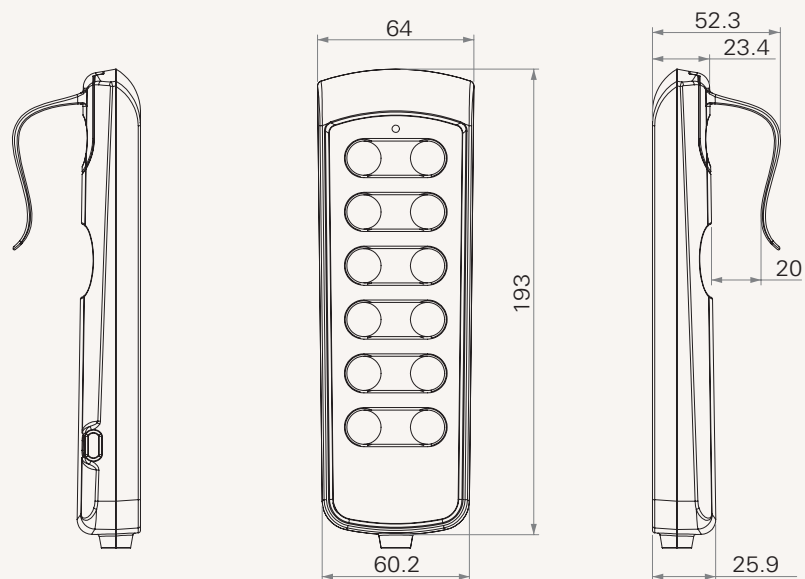
Product Segments

- **Care Motion**

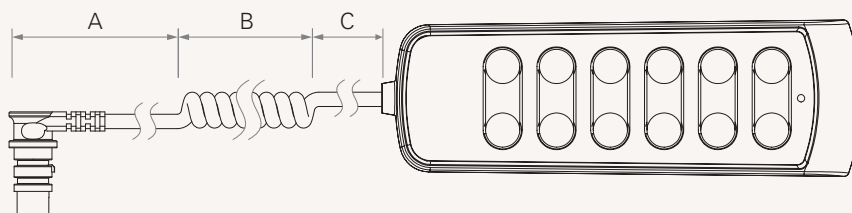
Connected actuators	1~4
Maximum available buttons	12
Color	Black or grey
IP rating	Up to IP66
Option	Back light, safety key

Drawing

Standard Dimensions
(mm)



Dimensions with Cable Length




Cable Length (mm)

CODE	A	B	C
1	1000	300	200
2	1200	300	300
3	1400	300	400
4	2400	0	0
5	0	600	0
6	1000	200	200

TH12

Version: 20150727-L

	Back Light	A = Without	B = With		
	Number of Actuators	1 = 1	2 = 2	3 = 3	4 = 4
	Plug	1 = DIN 8pin, 90°, for TC2/TC3/TC7 2 = RJ 10pin, 90°, for TC1/TC8/TC10 4 = DIN 8pin, 180°, for extension cable		5 = RJ 10pin, 180°, for TC6/TC9/extension cable A = Customized	
	Color	1 = Black		2 = Grey (Pantone 428C)	
	IP Rating	1 = Without		2 = IP54	3 = IP66
	Safety Key	0 = Without			1 = With
	Key Definition	01-47 = See appendix*		AA = Customized	
		Note : please contact TiMOTION before making an order			
	Cable Length	1~6 = See page 2			
	Hook Type	1 = Standard		2 = Rectangular hook (for 30*40 rod)	

Terms of Use

The user is responsible for determining the suitability of TiMOTION products for a specific application. TiMOTION products are subject to change without prior notice.